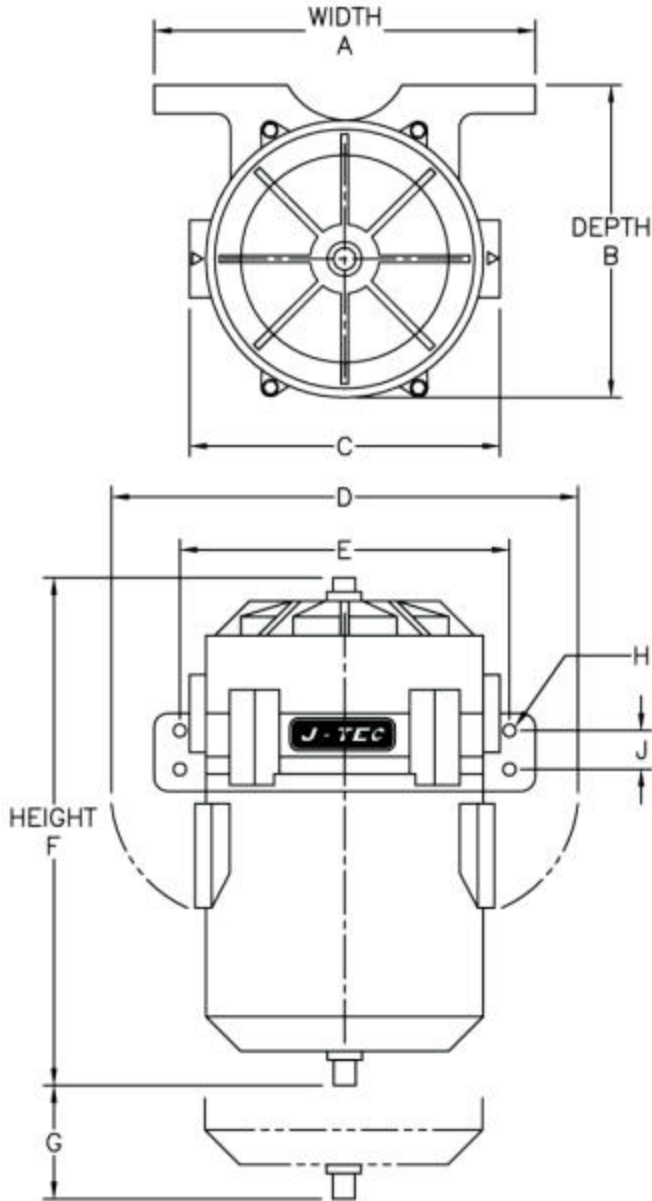


## Canister For Use With VF563 Series Blow-By Flow Meters

The VF563 Blow-By Canister, used in combination with a standard blow-by flow meter, provides a buffer that minimizes the effect of engine pulsations and collects oil or mist, while still giving continuous flow readings. The canister comes in two sizes to properly match up with the flow meter line size.



CCV™ DIMENSIONS				
DIM	CCV6000		CCV8000	
	IN	MM	IN	MM
<b>A</b>	8.59	218.2	10.61	269.5
<b>B</b>	7.30	185.4	9.30	236.2
<b>C</b>	7.06	179.3	9.06	230.1
<b>D</b>	11.25	285.8	13.25	336.6
<b>E</b>	7.50	190.5	9.50	241.3
<b>F</b>	12.00	304.8	13.88	352.6
<b>G</b>	4.00	101.6	5.00	127.0
<b>H</b>	0.37	9.4	0.43	10.9
<b>J</b>	0.93	23.6	1.06	26.9

Dimension "G" is the minimum element removal clearance. Allow more room if possible for ease of service.

CCV™ WEIGHTS			
CCV6000		CCV8000	
LBS.	KG	LBS.	KG
5.01	2.28	8.72	3.96

Weights are dry, with element and fittings installed.

"Contact J-TEC for specific pressure drop charts per model size.

**CCV6000** - 20 cfm flow through capacity

**CCV8000** - 40 cfm flow through capacity

J-TEC Models	Recommended CCV Canisters
VF563AA	CCV6000
VF563A	CCV6000
VF563B	CCV8000
VF563C	CCV8000